

1.0 Purpose

This Instruction Manual is intended to provide descriptive information on the Model ALX Marine Lifejacket Light and its variations, operating instructions, information for its maintenance and overhaul, instruction concerning the proper mounting of the light on lifejackets to ensure compliance with minimum performance standards, and limitations for the device.

2.0 Description of Device

The Model ALX and its variations is a SOLAS approved flashing lifejacket light that is activated automatically when immersed in water and can be deactivated manually. Variations of the ALX also offer manual activation or permanent deactivation. The ALX consists of a battery and light encased in either one plastic housing (ALX), or a battery assembly and a separate light assembly, connected by an electrical wire (ALX-II). See table 1 for options.

Table 1:

	Automatic activation in water	Manual on	Manual off	Permanent off/Reset
• ALX/ALX-II	✓	✓	✓	✗
• ALX/ALX-II (c)	✓	✗	✓	✗
• ALX/ALX-II (s)	✓	✗	✓	✓

The battery consists of alkaline cells incorporated into a water-tight sealed housing. The housing has two exposed water sensor contacts. The electronic circuit detects water and activates the light. The design prevents inadvertent extinguishing of the light if the water sensor is not continuously immersed in water. The housing also has a button for the manual switching of the light.

The light is a LED covered by a plastic cover.

3.0 Operating Instructions

The ALX is activated automatically following immersion of the water sensor in fresh water or seawater. The ALX can be turned off by pressing the button on the top of the housing. See figure 1.

- *In ALX versions that allow manual activation, this can be done by repressing the same button.*
- *In ALX (s) versions with permanent off, the ALX can be reset for water activation by one long pressing of the same button.*

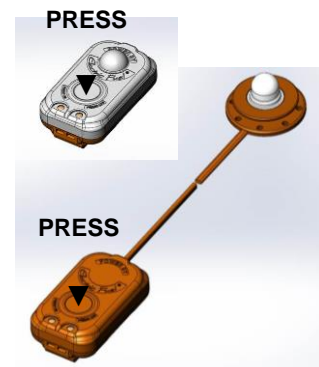


Figure 1

4.0 Maintenance and Overhaul Information

1. Maintenance or periodic overhaul is not required. Overhaul at end of life is not possible.
2. Recommended inspection of ALX:
 - Electrical Test of battery and lamp:
 - i. Create an electrical short between the exposed electrical contacts using tweezers or other conductive wire, or dip the ALX in water.
 - a. *In models with manual activation as well, one can press the button on the top of the housing.*
 - ii. Check that the lamp starts flashing. An inoperative light should be rejected.
 - iii. Press the button on the top of the housing to switch the light off.
 - Visual Inspection:
 - i. Replace product if the battery housing shows obvious signs of mechanical damage (e.g., cracking or discoloration of the plastic, bulging of the case, etc.).
3. Defective units should be returned to the manufacturer or otherwise disposed of (see section 6.4).

5.0 Instructions for Mounting on Lifejackets.

It is the responsibility of the lifejacket manufacturer to ensure that the light is attached securely and is in the correct position on the lifejacket; or to provide instruction regarding correct positioning on the lifejacket.

Recommended methods for mounting the ALX on lifejackets are as follows:

1. Attach the ALX firmly to a strap in its designated position on the lifejacket, using the plastic clip bracket provided with the ALX. Feed the strap along the back of battery and fasten the bracket to the battery by pushing the clip's plastic hooks through the corresponding holes on the battery housing. The plastic spikes should face inwards, holding the strap firmly in place.
 - Once fastened with the clip, the light cannot be removed without breaking the clip.
2. The ALX light should be placed at the top or on the front of the shoulder of the lifejacket in accordance with the instructions of the lifejacket manufacturer.
3. Alternatively, one may use tie wraps or adhesive strip to attach the ALX to a strap or fabric, making sure not to block the water sensors.
4. The light assembly of the ALX-II should be attached to the lifejacket on the top or front of the shoulder. One may use an adhesive strip or tie wrap, or sew the light assembly to the life jacket, attaching at any four of the eight holes provided in the lower ring of the plastic bulb holder. If the lifejacket has a fabric loop for the light, feed the light assembly through the loop.

6.0 Limitations of the Device.

1. The device is designed to provide effective luminous intensity of at least 0.75 candlepower (Cd) in all directions of the upper hemisphere of the lens, as required under IMO SOLAS regulations, for a minimum of eight (8) hours after activation.
2. The device is limited to a service life of five (5) years from the date of manufacture. Until then, it is considered usable as a safety appliance, under IMO SOLAS regulations, if the battery does not show signs of mechanical damage and the light bulb is operative.
3. Storage: Avoid extreme humidity and temperatures.
4. Disposal: Dispose of used batteries in accordance with local regulations.

Epsilon - Electric Fuel Ltd.

SP 107 026

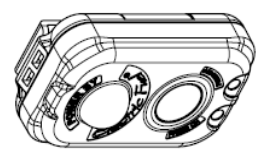
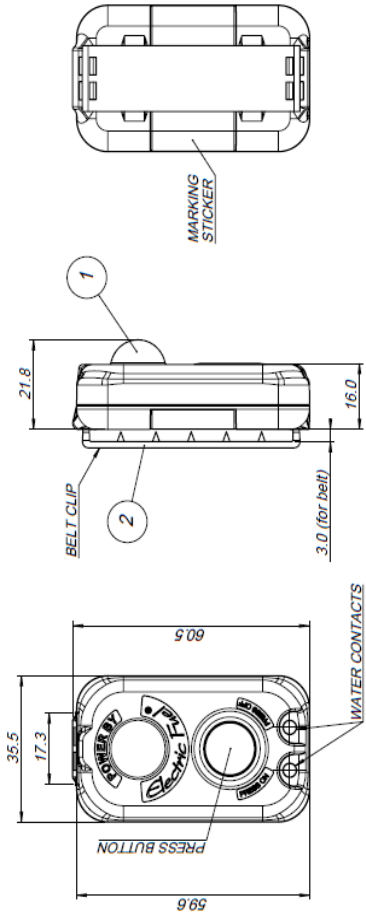
Rev: 1

Date: 15/10/15

Page 4 of 5

Name: ALX Instruction Manual

REVISION	SH.	DESCRIPTION	DATE	ECO NUMBER	APPR.
A		NEW ISSUE	20/04/2015		



ISOMETRIC VIEW

ONE-PIECE LIGHT
p/n 107001-01

- NOTES:
1. ALL DIMENSIONS ARE FOR REFERENCE.
 2. DEFINE PRODUCT TYPE AND BELT CLIP AVAILABILITY UPON EACH ORDER.

2	1	LDX CLIP 52	mm	102516-01	DW102516
1	1	ALX ASSEMBLY		107002-01	DW107002
ITEM	QTY.	DESCRIPTION	PART No	DRAW No	

PART LIST see above or in separate document PL 107001

SCALE	DIMENSIONS IN	WEIGHT, g	NAME	SIGNATURE	DATE
1:1	mm		OSNO: Anastasia K.	A.K.	20/04/2015
			CHKD: Alex Glavin	A.G.	20/04/15
<small>THIS DOCUMENT IS THE SOLE PROPERTY OF ELECTRIC FUEL LTD. EFL AND CONTAINS INFORMATION THAT IS UNCLASSIFIED AND UNCONTROLLED UNLESS INDICATED OTHERWISE. EXCEPT AS OTHERWISE AGREED TO IN WRITING BY EFL, NO PART OF THIS DOCUMENT IS TO BE REPRODUCED OR TRANSMITTED IN ANY FORM OR BY ANY MEANS, ELECTRONIC OR MECHANICAL, INCLUDING PHOTOCOPYING, RECORDING, OR BY ANY INFORMATION STORAGE AND RETRIEVAL SYSTEM, WITHOUT THE WRITTEN PERMISSION OF EFL.</small>					
			Q.A.	M.K.	15/10/15
			APPR.		
			GEN. TOLERANCE	±0.1	
			DOC. TYPE	DW	107001
			DOCUMENT NO.		
			DRAWING NAME	ALX Marine Lifejacket Light	
			INDUSTRIAL PARK WELLS, BUL STEWART ROAD, BUNRAE, CO. DUBLIN 17, IRELAND	Tel: 01276-238888 Fax: 01276-239123	

Epsilon - Electric Fuel Ltd.

SP 107 026

Rev: 1

Date: 15/10/15

Page 5 of 5

Name: ALX Instruction Manual

NOTES:

1. DEFINE WIRE LENGTH (L) UPON EACH ORDER.
2. DEFINE WIRE TYPE (BLACK (-021), ORANGE (-022)) UPON EACH ORDER.
3. DEFINE LAMP UNIT DIAMETER (ϕD) UPON EACH ORDER.

Electric Fuel
 Industrial Park, Wat. Bar, Samnash, 96054, Israel.
 Tel. 972-2-9906666 Fax. 972-2-9991013

LIGHT WITH SEPARATE LAMP
 p/n 100701-021/-022

2	1	LDX CLIP 52 mm	102516-01	DW102516
1	1	ALX-II ASSEMBLY	107002-021/-022	DW107002
ITEM	QTY.	DESCRIPTION	PART No	DRAW No
		REVISION		DOC. TYPE
		SHEET 2 of 2	A	DW
		DOCUMENT NO.		100701
THIS DOCUMENT IS THE SOLE PROPERTY OF EPSILON - ELECTRIC FUEL LTD. (EFL) AND CONTAINS INFORMATION PROPRIETARY TO EFL. ANY REPRODUCTION, DISCLOSURE OR OTHER USE WITHOUT THE WRITTEN PERMISSION OF EFL IS PROHIBITED. EXCEPT AS OTHERWISE AGREED WITH WRITING BY EFL, EFL RESERVES THE RIGHT TO MAKE MODIFICATIONS TO THIS DOCUMENT AT ANY TIME.				